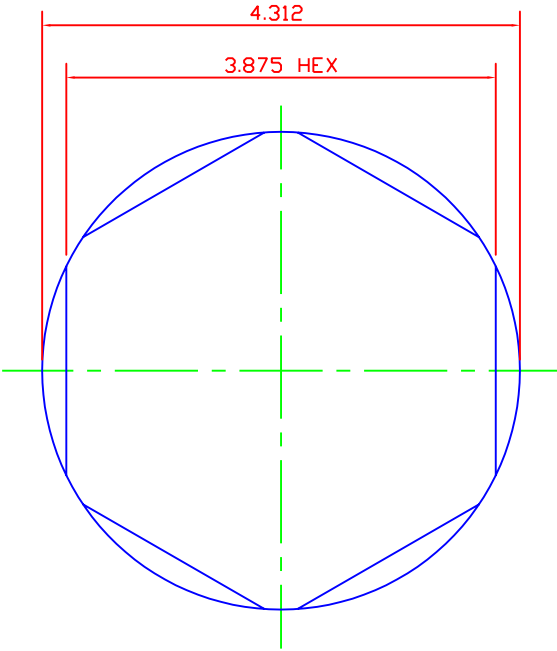
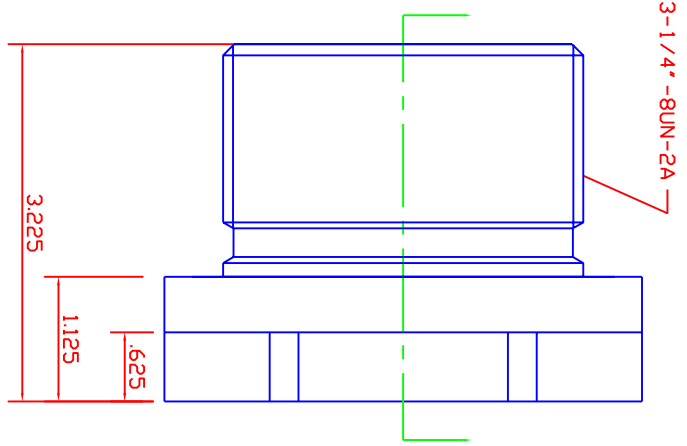
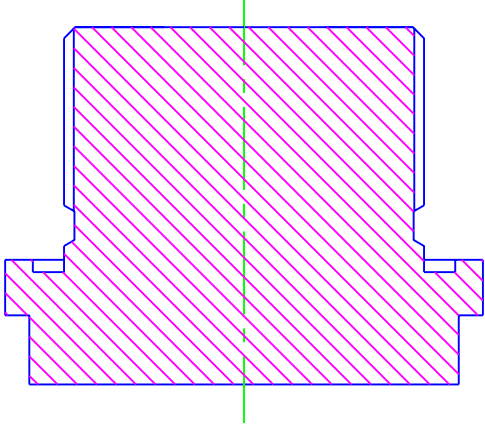


BLANK BULLPLUG DESCRIPTION	9146-111S PART NO.
9-26-96 DATE	304L STAINLESS STEEL MATERIAL



DATE	REVISIONS
2-19-01	3.225 WAS 2.625
1-13-05	3.250-8UN-2A WAS 3A

9146-111S
DRAWING NO.

WESTERN VALVE